



SONOVE M2
Maritime Monitor
Classic Series





- ✓ Designed for Maritime Applications
- ✓ Display Sizes: 19", 17", 15"
- ✓ Resistive Touch or Antireflex Glass
- ✓ Full Range Dimming (0 .. 100%)
- ✓ Fanless Cooling System
- ✓ „Made in Germany“
- ✓ Type Approval: DNV, Tested according to EN 60945
EU-RO-MR⁽¹⁾

Display

M2C-M-19 ⁽¹⁾	19 inch, 1280 x 1024, 5:4, 300 cd/m ²
M2C-M-17 ⁽¹⁾	17 inch, 1280 x 1024, 5:4, 300 cd/m ²
M2C-M-15 ⁽¹⁾	15 inch, 1024 x 768, 4:3, 350 cd/m ²

Remote Control

DDC	DDC Remote Control on all Video Inputs
COM	Various Serial Remote Protocols
I/O	Remote Control I/O Interface with Digital/Analog Inputs and Outputs

Interface

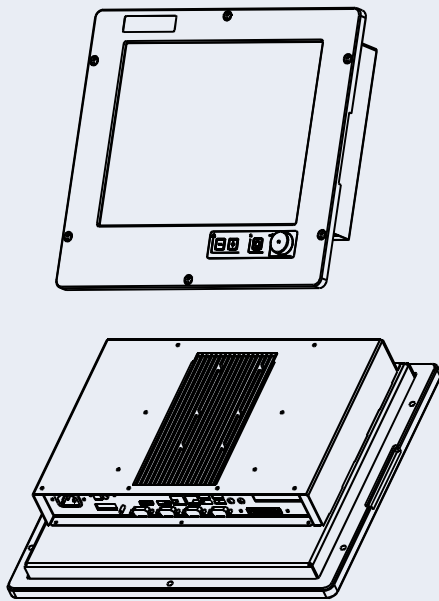
Video In	2 x DVI-I 1 x VGA
USB	Capacitive Multi-Touch
OSD	OSD Keypad with LED on Backside
Dig. In	Dimming(+/-), Video Input Select, Buzzer Control
Dig. Out	Relais Output (galv. isolated) for External Buzzer
Analog Out	External Status LEDs
Analog In	Potentiometer Input for Dimming
COM	Serial Interface for Remote Protocol <ul style="list-style-type: none"> • RS232, RS485/422 configurable in OSD • COM (x1), COM (x2) for Daisy-Chain

⁽¹⁾ expected Q1/2023

Mounting Options

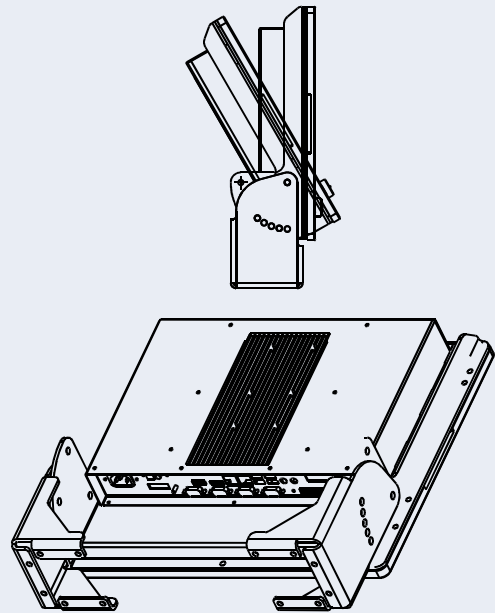
Flush Mount

- ✓ Flush Mounting with Console Mounting Kit
- ✓ Front Keys, Power On/Off and Dimming
Multi-Color Status LEDs
- ✓ Resistive Touch or Antireflex Glass
- ✓ M2C Control Interface

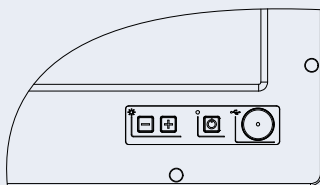


Desktop, Wall, Ceiling

- ✓ Desk, Wall, Ceiling Mounting with Mounting Bracket



M2C Front Keys and LEDs

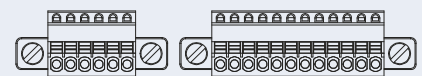


- ✓ Front Keys, Power On/Off with Status LED
- ✓ Front Keys for Dimming
- ✓ 2 x USB 2.0, Protected by Screw Cap (optional)
- ✓ All Keys with Backlight (dimmable)
- ✓ Multi-Color Status LEDs (Software API available)

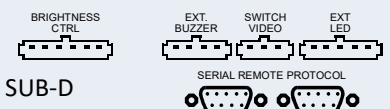
M2C Remote Control Interface

- ✓ RS 232/485/422 for Remote Control
- ✓ Dig. IN for Dimming Keys (+/-) and Potentiometer IN
- ✓ Dig. IN for Video Source Select
- ✓ Buzzer Control IN and Relais OUT for External Buzzer
- ✓ Analog OUT for Multi-Color Status LED

- ✓ Screwless
Cable Entry Plugs



- ✓ Alternatively
SMP Connectors and SUB-D



Examples of M2C Monitor standard systems with order information

M2C Monitor, 15 inch

M2C-M-15 GL AC	541.001.yyyy	Monitor Classic, 15 inch, Glass, 1024 x 768, 4:3, 350 cd/m ² , 115/230 VAC
M2C-M-15 RT DC	546.002.yyyy	Monitor Classic, 15 inch, Resistive Touch, 1024 x 768, 4:3, 350 cd/m ² , 24 VDC
M2C-M-15 RT DCAC	546.003.yyyy	Monitor Classic, 15 inch, Resistive Touch, 1024 x 768, 4:3, 350 cd/m ² , Redundant 24 VDC and 115/230 VAC

M2C Monitor, 17 inch

M2C-M-17 GL AC	551.001.yyyy	Monitor Classic, 17 inch, Glass, 1280 x 1024, 5:4, 300 cd/m ² , 115/230 VAC
M2C-M-17 RT DC	556.002.yyyy	Monitor Classic, 17 inch, Resistive Touch, 1280 x 1024, 5:4, 300 cd/m ² , 24 VDC
M2C-M-17 RT DCAC	556.003.yyyy	Monitor Classic, 17 inch, Resistive Touch, 1280 x 1024, 5:4, 300 cd/m ² , Redundant 24 VDC and 115/230 VAC

M2C Monitor, 19 inch

M2C-M-19 GL AC	561.001.yyyy	Monitor Classic, 19 inch, Glass, 1280 x 1024, 5:4, 300 cd/m ² , 115/230 VAC
M2C-M-19 RT DC	566.002.yyyy	Monitor Classic, 19 inch, Resistive Touch, 1280 x 1024, 5:4, 300 cd/m ² , 24 VDC
M2C-M-19 RT DCAC	566.003.yyyy	Monitor Classic, 19 inch, Resistive Touch, 1280 x 1024, 5:4, 300 cd/m ² , Redundant 24 VDC and 115/230 VAC

Sonove GmbH
 Hindelanger Str. 33
 87527 Sonthofen
 Germany

Phone +49 8321 67466 200
 Fax +49 8321 67466 199
 Mail marine@sonove.com
 Web www.sonove.com

