

M2C-PPC-17 (S)

6th Generation Intel® Core™ Processors



Dimensions

- Length x Width x Height: 430 x 390 x 84 mm
- Cutout (W x H): 392 x 352 mm
- Weight: 9,5 kg ± 10%

Housing

- Chassis: Aluminium, RAL 9005 powder coated
- Cover electronics: Steel, RAL 9005 powder coated
- Front: Glass, antireflex coated both sides

Display

- 17" TFT Display
- LED Backlight
- Resolution: 1280 x 1024
- Brightness: 300 cd/m²
- Full range dimming: 0-100 %
- With or without Resistive Touch

System	Processor	6th Generation Intel® Core™ Processors Intel® Core™ i7-6600U, 2 Cores, 4M Cache, 2.60 GHz up to 3.40 GHz Intel® Core™ i5-6300U, 2 Cores, 3M Cache, 2.40 GHz up to 3.00 GHz	
	Memory	Up to 16GB, Dual Channel DDR3L 1600MHz	
	Storage	1 x mSATA SSD up to 1TB 2 x SSD up to 2TB RAID 0/1/5	
Graphics	Controller	Intel® HD Graphics 520	
	Feature	OpenGL 4.4, DirectX 12, OpenCL 2.1 HW Decode: AVC/H.264, MPEG2, VC1/WMV9, JPEG/MJPEG, HEVC/H265, VP8, VP9 HW Encode: AVC/H.264, MPEG2, JPEG, HEVC/H265, VP8, VP9	
	Dual Displays	1 x DP + 1 x DP++	
Expansion	Interface	1 x PCIe x4 (Gen3) Low Profile	
Rear I/O	Ethernet	2 x GbE (RJ-45)	Optional up to 4 x GbE
	USB	4 x USB 3.0	Optional up to 8 x USB
	Display	1 x DP 1 x DP++	
	Audio	1 x Line-out 1 x Mic-in	
	Serial		Optional up to 4 x COM (RS232 or 422/485)
Optional (M2 CB)	Controller	M2 Controller Board	
	Feature	1 x Internal Alarm-Buzzer 1 x Out for ext. Alarm-Buzzer 1 x Potentiometer In, 2 x Push Button In 2 x Out for Status LED	
Watchdog Timer	Output & Interval	System Reset, Programmable via Software from 1 to 255 Seconds	
Security	TPM	dTPM 2.0 (available upon request)	
Power Options	DC	24 VDC	
	AC	230/115 VAC (50/60Hz)	
	DCAC	24 VDC + 230/115 VAC (redundant)	
OS Support	Microsoft/ Linux	Windows 7 Windows 8.1 Windows 10 Linux	
Environment	Operating Temp.	-15 to +55°C	
	Storage Temp.	-20 to +70°C	
	IP Rating	IP66 (front) - IP20 (rear)	
Compass Safe Distance	Standard Compass	0.90 m in all directions	
	Steering Compass	0.70 m in all directions	
Type Approval		DNV, Tested according to EN 60945 EU-RO-MR ^(*)	

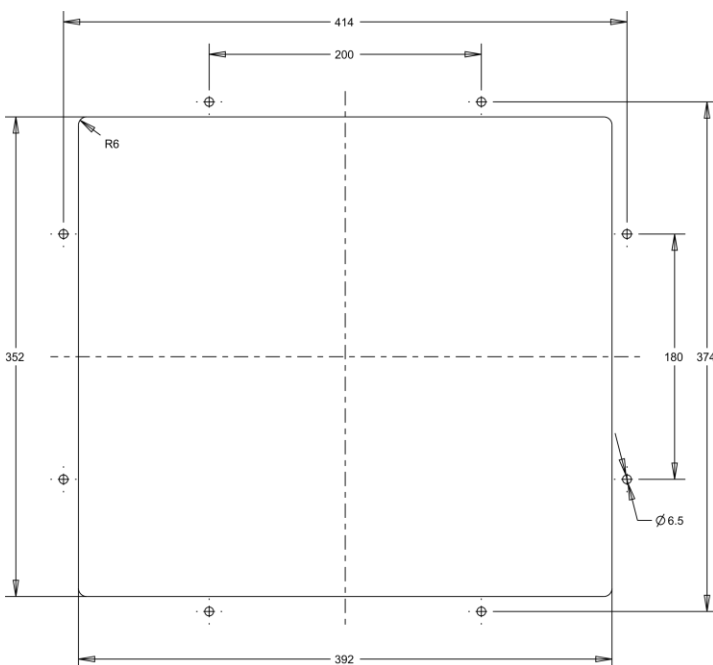
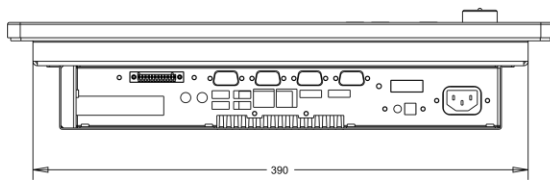
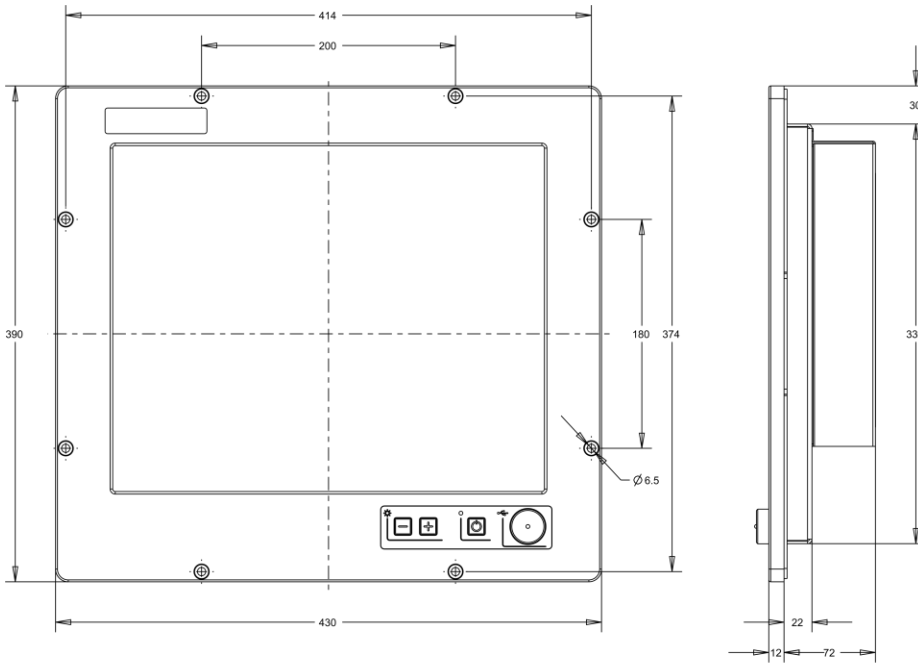
^(*) expected Q1/2023

Options and additional features are configurable. Contact your Sonove sales representative for further information.
Depending on the product configuration, interfaces or slot brackets may differ from the figures in this document.

M2C-PPC-17 (S)

6th Generation Intel® Core™ Processors

Drawings Standard

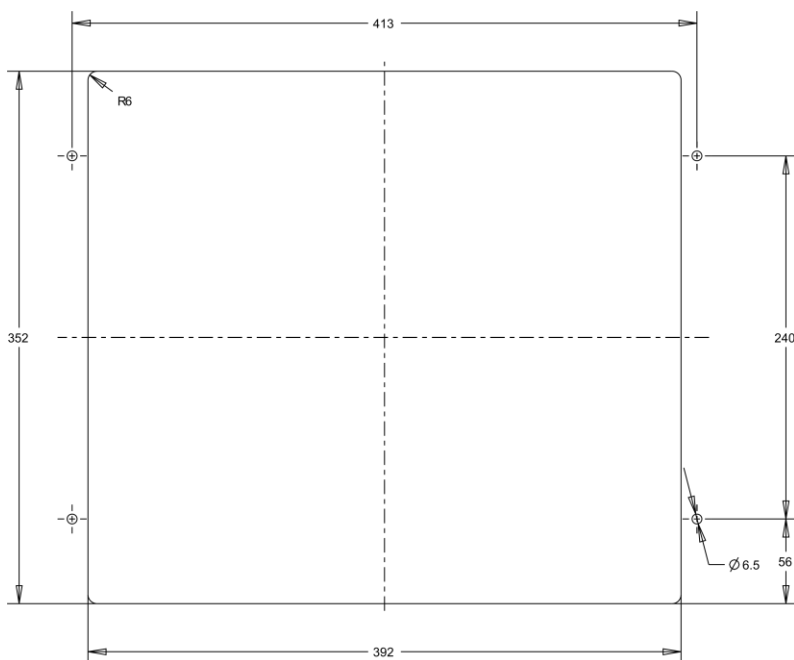
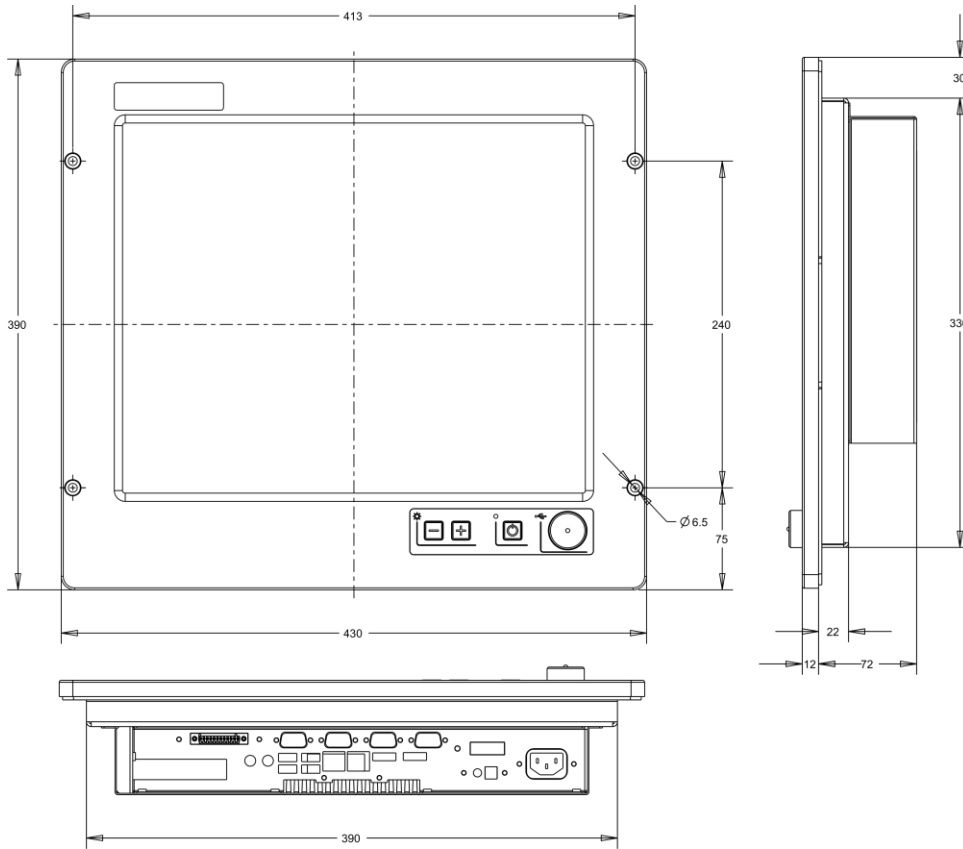


M2C-PPC-17 (S)

6th Generation Intel® Core™ Processors



Drawings 4HF



Sonove GmbH
Hindelanger Str. 33
87527 Sonthofen
Deutschland

Tel. +49 8321 67466 200
Fax +49 8321 67466 199
marine@sonove.com